

SPECIFICATION

受 控

Customer:

Applied To:

Product Name: SPEAKER

Model Name: KPB2644C550-2-8357

Drawing No.: KFC8357

Compliance with ROHS (本品符合 ROHS 指令)

Signature of Appronal

--

Signature of KEPO

Issued by	Checked by	Approved by	Date
忻容荣	王真		



宁波凯普电子有限公司

Ningbo Kepo Electronics Co., Ltd.

宁波东钱湖镇东钱湖工业区宝源路 25 号

TEL:+86-574-88370330

FAX:+86-574-88370329

ADD: No.25 Baoyuan road, Dongqian Lake Industry Area, Dongqian town,Ningbo City,China (Post Code: 315121)

Email: Sales@chinaacoustic.com

<http://www.chinaacoustic.com>

Specification for Speaker

Page

2 / 8

Revision No.

1.1

KPB2644C550-2-8357

Drawing No.

KFC8357

CONTENTS

1. Scope
2. General
3. Electrical and Acoustic Characteristics
4. Reliability Test
5. Measurement Block Diagram & Response curve
6. Structure
7. Dimensions
8. Packing

Rev.	DATE	PAGE	DESCRIPTION	SIGN
1.1	2019.03.25		UL1007 AWG24# Switch to stranded wire, L550+30/-0→L530+30/-0	
1.0	2018.10.12		Primary	
Revision				

Specification for Speaker

Page

3 / 8

Revision No.

1.1

KPB2644C550-2-8357

Drawing No.

KFC8357

1. Scope

This specification is applied to the dynamic speaker which is used all of the electrical acoustic product.

- compact, rich sound
- applications: mobile phone, PDA, notebook computer, etc. ...

2. General

- 2.1 Out-Diameter: 35.4X50.7 mm
- 2.2 Height: 16mm
- 2.3 Weight: 17.5g
- 2.4 Operating Temperature range:
-30~+85°C without loss of function
- 2.5 Store Temperature range:
-40~+85°C without loss of function

3. Electrical and Acoustic Characteristics

Test condition : 15 ~ 35 °C, 25% ~ 85% RH, 860~1060 mbar

	Items	Specification
1	Impedance	8Ω±15%(1Vrms at 1000Hz)
2	Sound Pressure Level	90dB±3dB 0.1W/0.1M average at 1.0,1.2,1.5,2kHz
3	Resonance Frequency	350Hz±20% at 1V
4	Frequency Range	Fo ~10KHz
5	Input Power	Rated 1.0W/Max. 1.2W
6	Distortion	<10% Max. at 2kHz/1Vrms
7	Buzz and Rattle	Should not be audible buzzes, rattles when the 2.83V sine wave signal swept at frequency range.
8	Polarity	When supplied plus D.C. voltage to (+) terminal, the cone diaphragm must move to forward.

Specification for Speaker

Page

4 / 8

Revision No.

1.1

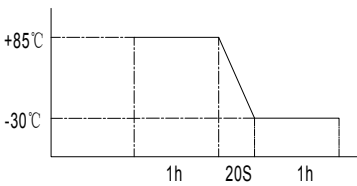
KPB2644C550-2-8357

Drawing No.

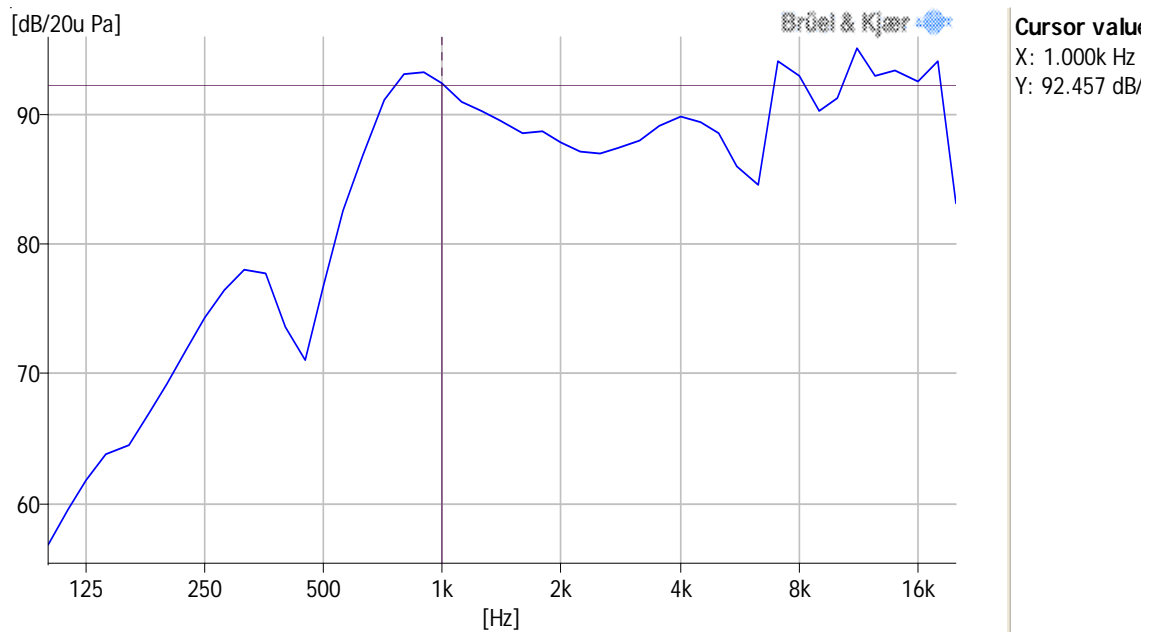
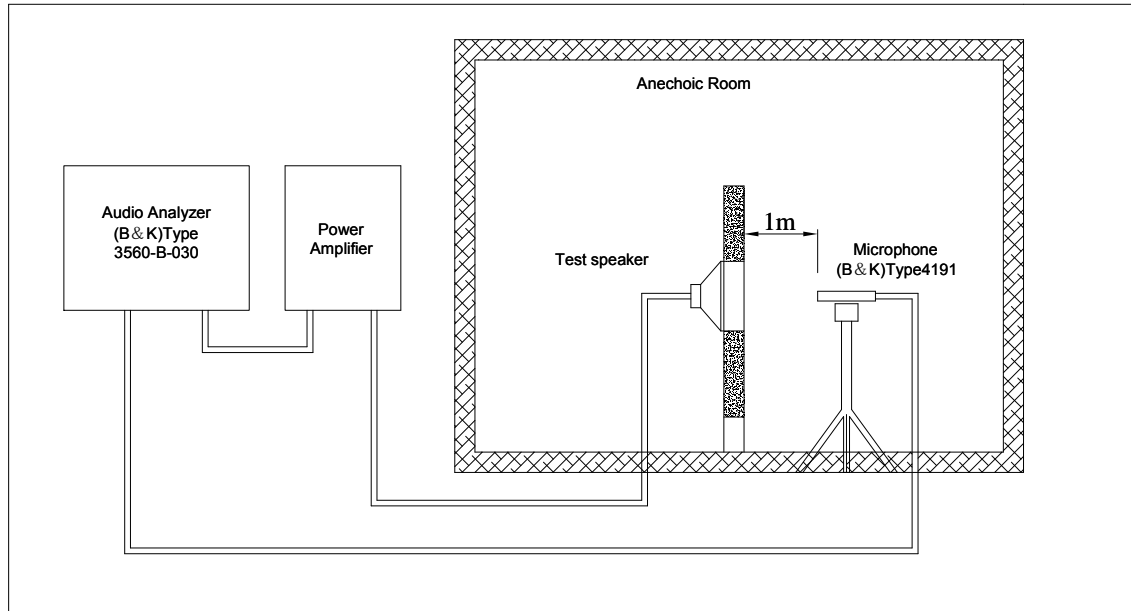
KFC8357

4. Reliability Test

After test(4.1~4.8item), the speaker S.P.L . difference shall be within $\pm 3\text{dB}$, and the appearance not exist any change to be harmful to normal operation(e.g. cracks,rusts,damages and especially distortion).

Items	Specification
4.1 High Temperature Test	After being placed in a chamber with $+85 \pm 3 \text{ }^\circ\text{C}$ for 96 hours and then being placed in natural condition for 1 hour, speaker shall be measured.
4.2 Low Temperature Test	After being placed in a chamber with $-40 \pm 3 \text{ }^\circ\text{C}$ for 96 hours and then being placed in natural condition for 1 hour, speaker shall be measured.
4.3 Humidity Test	After being placed in a chamber with 85 to 90%R.H. at $+40 \pm 2 \text{ }^\circ\text{C}$ for 96 hours and then being placed in natural condition for 1 hour, speaker shall be measured.
4.4 Thermal Shock Test	<p>After being placed in a chamber at $+85^\circ\text{C}$ for 1 hour, then speaker shall be placed in a chamber at -30°C for 1 hour. (1 cycle is the below diagram).</p> <p>After 6 above cycles, speaker shall be measured after being placed in natural condition for 1 hour.</p> 
4.5 Vibration Test	After being applied vibration of amplitude of 1.5mm with 10 to 55Hz band of vibration frequency to each of 3 perpendicular directions for 1 hour, then placed in natural condition for 1 hour, speaker shall be measured.
4.6 Drop Test	The speaker shall stand 15 times random drops from a height of 1.0 meter to a concrete floor faced with 5mm thick hard wood board.and be nothing mechanical damage.
4.7 Load test	After being applied loading white noise with input power 1W (2.83 Vrms.) for 96 hours, then placed in natural condition for 1 hour, speaker shall be measured.
4.8 Insulation test	When they are measured with DC 100V the insulation resistance between v.c. terminal and frame must be more than 1 M Ω

5. Measurement Block Diagram & Response curve



Specification for Speaker

Page

6 / 8

Revision No.

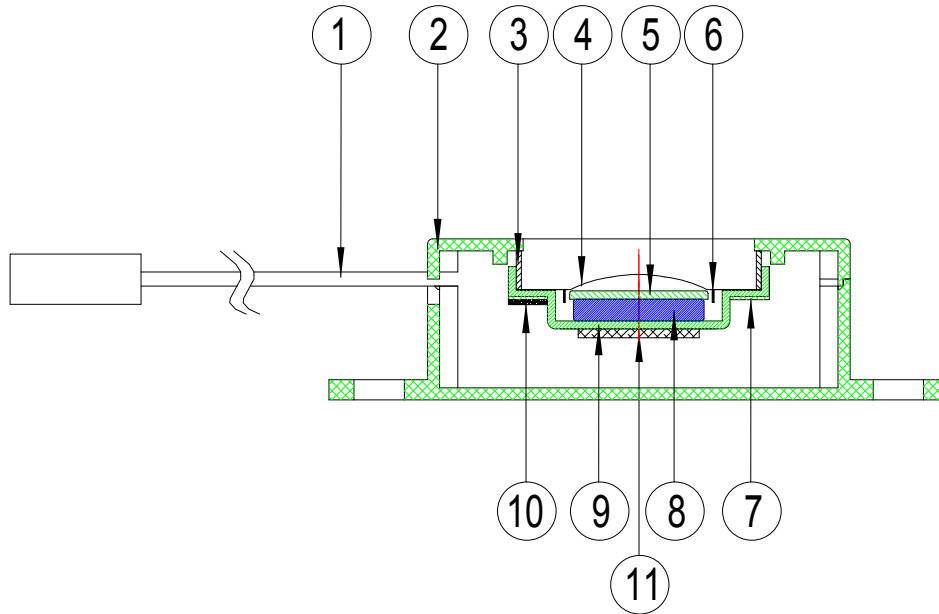
1.1

KPB2644C550-2-8357

Drawing No.

KFC8357

6. Structure



11	Gasket	1	EVA	
10	Terminal	1	FR-4	
9	Frame	1	SPCC	
8	Magnet	1	Nd-Fe-B	
7	Screen	1	Unwoven Fabric	
6	V-coil	1	Copper	
5	Plate	1	SPCC	
4	Diaphragm	1	Mylar	
3	Gasket	1	Paper	
2	HOUSING	1	ABS	
1	Connector	1	Housing: CWB SM-2A (White) Terminal: CWB SM-A UL1007 AWG24#	
No.	Part Name	Q'ty	Material	Remarks

Specification for Speaker

Page

7 / 8

Revision No.

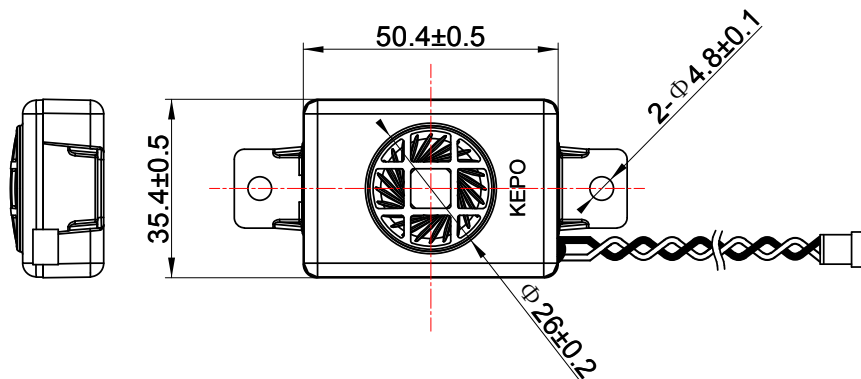
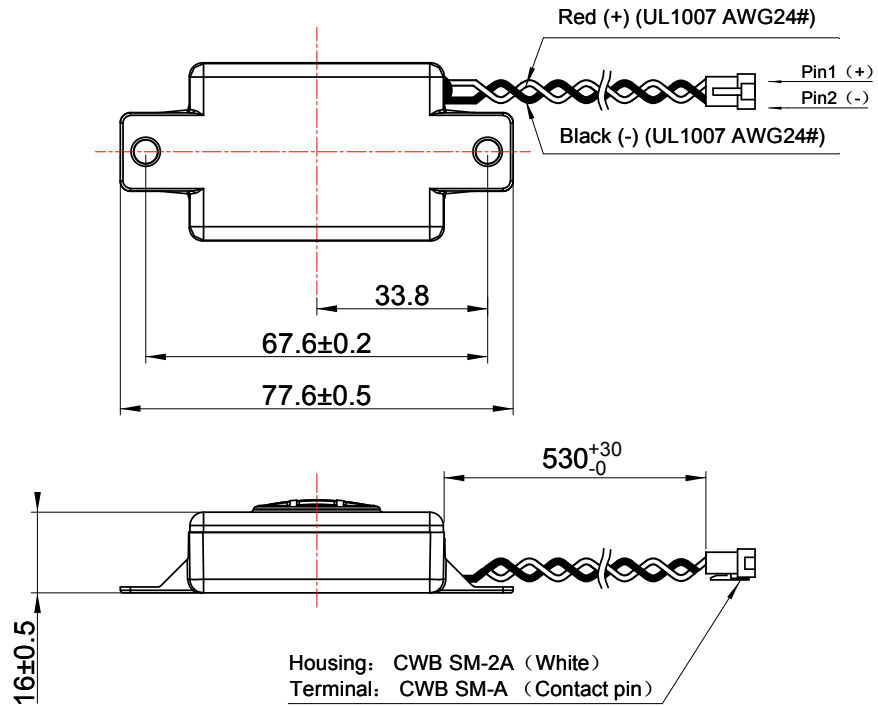
1.1

KPB2644C550-2-8357

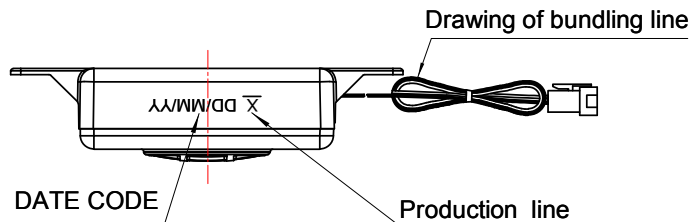
Drawing No.

KFC8357

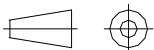
7. Dimensions



#.Lot No Example
 ex) A 30 03 16
 -. A: A GROUP
 -.30 :the day 30
 -.03 :the month 03
 -.16 :the year 2016



FIRST ANGLE PROJECTION



UNIT: mm

Tolerance: ±0.5

Specification for Speaker

Page

8 / 8

Revision No.

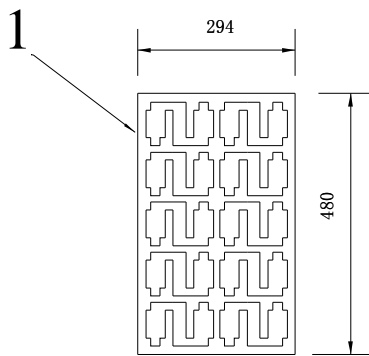
1.1

KPB2644C550-2-8357

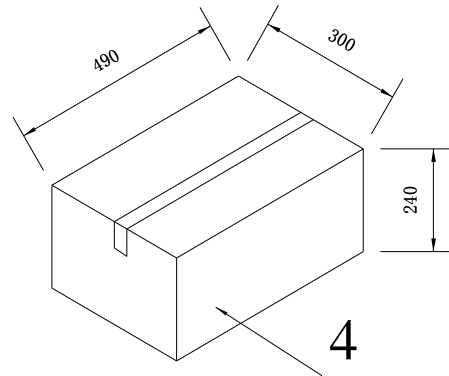
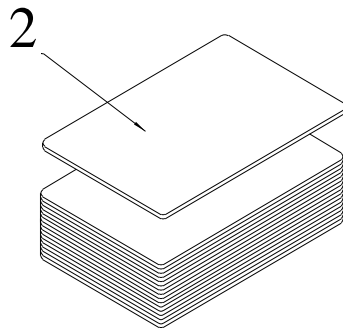
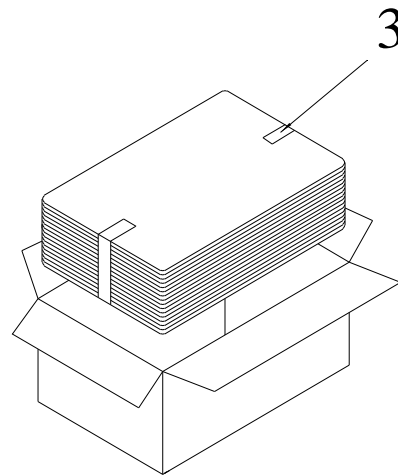
Drawing No.

KFC8357

8. Packing



20Pcs



QTY:200Pcs

490 x300 x240mm